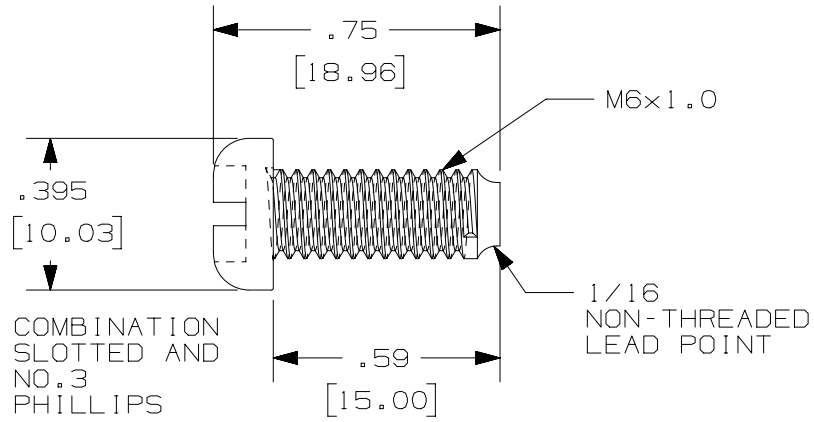
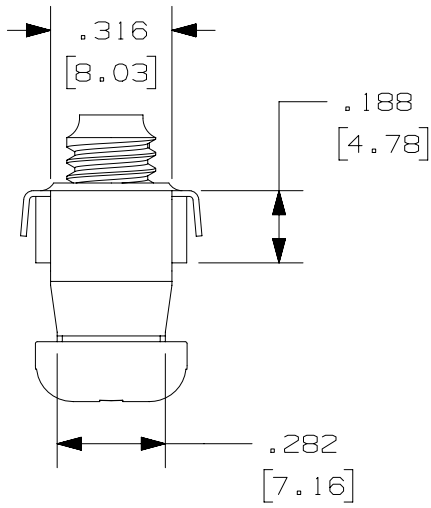


THIS COPY IS PROVIDED ON A RESTRICTED BASIS AND IS NOT TO BE USED IN ANY WAY DETRIMENTAL TO THE INTERESTS OF PANDUIT CORP.

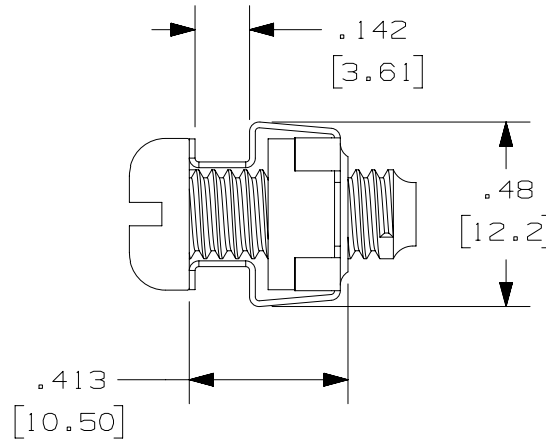
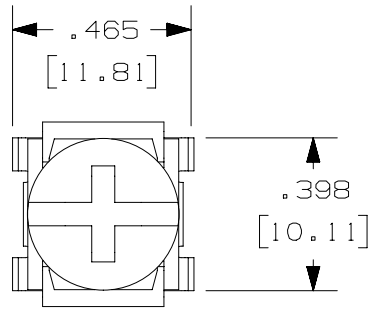


CAGE NUT REMOVED FROM VIEW FOR CLARITY

PANDUIT P/N	WEIGHT
CNWSM6-C	1.90 LBS/EACH 0.86 Kg/EACH

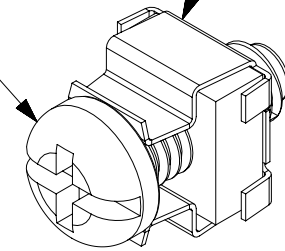
NOTES:

- VISIT OUR ON-LINE CATALOG AT WWW.PANDUIT.COM FOR A LIST OF CURRENT PARTS APPLICABLE FOR USE WITH THIS PRODUCT.
- DIMENSIONS IN PARENTHESES ARE METRIC (mm).
- PARTS SUPPLIED:
(100)- M6x1.0 ROUND HEAD SCREW
(100)- M6 CAGE NUT



M6 SCREW
PANDUIT P/N
00001-112

M6 CAGE NUT
PANDUIT P/N
00001-07



PARTS SHOWN ASSEMBLED FOR REFERENCE ONLY

MODEL FILENAME V10119AJ_CNWSM6-C_ASSY_00.PRT

CAD FILENAME/LAYERS V10119AJ_DC_00A.PRT

PANDUIT CORP. TINLEY PARK, ILLINOIS

M6 CAGE NUT WITH SCREW-KIT
CUSTOMER DRAWING

UNLESS OTHERWISE SPECIFIED, DIMENSIONAL TOLERANCES ARE:
 INCHES X.X +/- 0.03 X.XX +/- 0.015 X.XXX +/- 0.005
 [METRIC - MILLIMETER] X.X +/- 0.8 X.XX +/- 0.4 X.XX +/- 0.13
 ANGLE +/- 1°
 UNLESS OTHERWISE SPECIFIED, ALL DIMENSIONS ARE GIVEN IN INCHES, THIRD ANGLE PROJECTION.

DRAWN BY TKW

MAT'L:

SCALE 2:1

DATE 03-28-07

SEE NOTES

DRAWING NO.

10119-20

DWG
A
SIZE

REV	DATE	BY	CHK	DESCRIPTION	ECN	R	CUST	SUP	OTH
00	3-28-07	TKW		RELEASED TO PRODUCTION	10119-20				